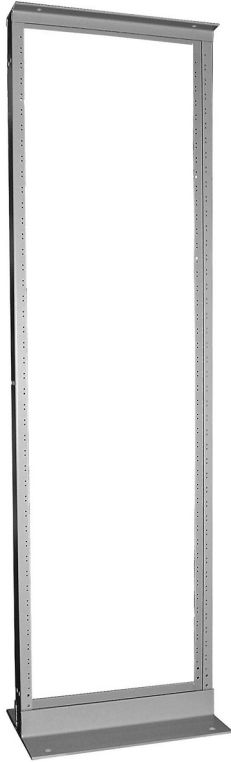




La MARCHE®

ISO 9001:2000 CERTIFIED

RELAY RACK



Standard Features

- Relay Racks constructed from 11 gauge steel
- ANSI-61 gray paint finish
- The 3 inch vertical channels are drilled and tapped on the front and rear for 12-24 NC hardware
- Welded construction
- 19 or 23 inch wide configuration
- Holes in sides of rack for joining racks
- 1.75 inch mounting hole pattern

Options

(Consult factory for further details)

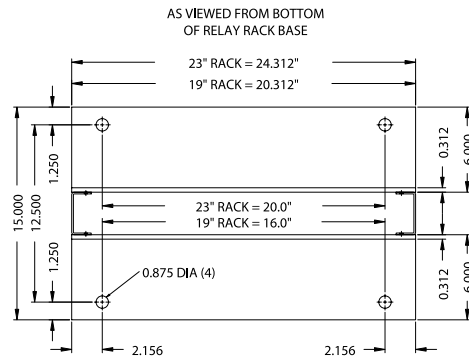
- Seismic Relay Rack
- Aluminum Relay Rack
- Steel, Bolted Relay Rack
- Cable Stay

RELAY RACK

La Marche Relay Racks can be used for mounting Rectifiers, Batteries and other related power system equipment.

La Marche offers an array of Relay Rack heights in both 19 and 23 inch widths. See our web site for a detailed drawing of the relay rack.

Rack Base



TOLERANCE:
UNLESS SPECIFIED OTHERWISE: +/- .031
HOLE DIA. & SLOT SIZE: +/- .005
CENTER TO CENTER: +/- .015
ANGLES: +/- .5 DEG.

Chart for 19" Relay Rack

| Model Number | Height (feet) | Rack Width* (inches) | Rack Units |
|--------------|---------------|----------------------|------------|
| P3-RR-P110 | 6.00 | 20.312 | 36 |
| P3-RR-P040 | 7.00 | 20.312 | 43 |
| P3-RR-P100 | 7.50 | 20.312 | 47 |
| P3-RR-P120 | 8.00 | 20.312 | 50 |
| P3-RR-P080 | 9.00 | 20.312 | 57 |

*Center to center is 18.312 inches.

Chart for 23" Relay Rack

| Model Number | Height (feet) | Rack Width** (inches) | Rack Units |
|--------------|---------------|-----------------------|------------|
| P3-RR-P020 | 6.00 | 24.312 | 36 |
| P3-RR-P060 | 7.00 | 24.312 | 43 |
| P3-RR-P180 | 7.50 | 24.312 | 47 |
| P3-RR-P050 | 8.00 | 24.312 | 50 |
| P3-RR-P070 | 9.00 | 24.312 | 57 |

**Center to center is 22.312 inches.

Specifications are subject to change without notice.

P25-DSP3-RR-RACKS-1

ECN 16713

03-05

La Marche Manufacturing Company
106 Bradrock Drive, Des Plaines, IL 60018-1967
Tel: 1-847-299-1188 Toll Free Fax: 1-888-232-9562
sales@lamarchemfg.com www.lamarchemfg.com

Made in USA